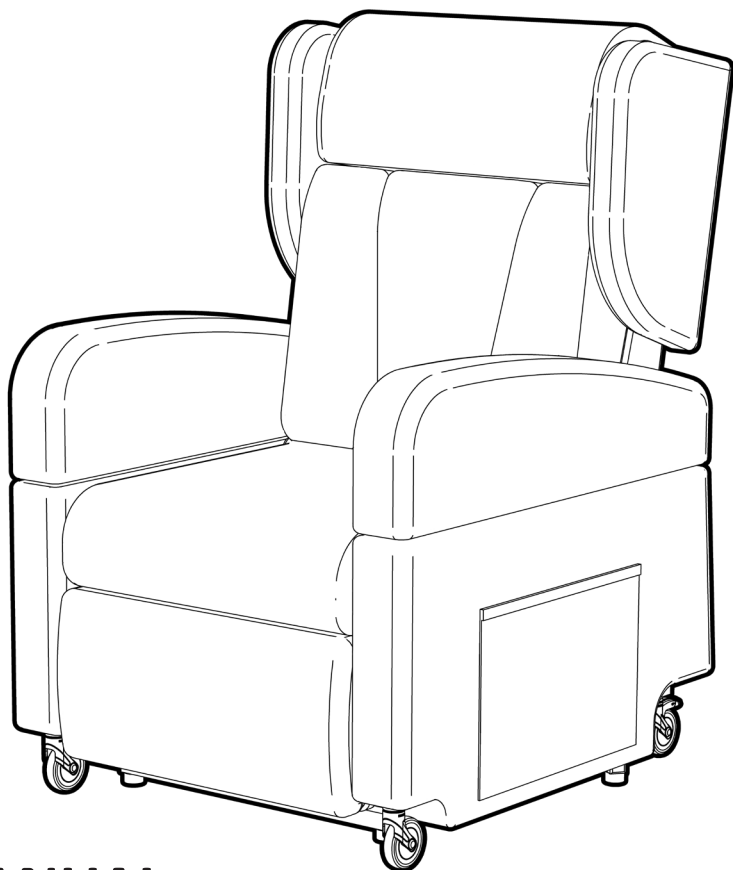


**REDGUM** BRAND  
Daily Living and  
Lifestyle Products

# ULTRACARE

MOBILE HEIGHT ADJUSTABLE LIFT CHAIR

LC0901



## USER MANUAL

EDITION 1

---

Please read and keep these instructions

[redgumbrand.com.au](http://redgumbrand.com.au)

# **REDGUM** BRAND *Daily Living and Lifestyle Products*

**REDGUM Brand** owns the **copyright** to the ULTRACARE MOBILE ADJUSTABLE HEIGHT LIFT CHAIR user manual.

Any information contained in this user manual shall not be photocopied, reproduced or translated into any other languages without the prior written consent of REDGUM Brand.

**REDGUM Brand** strives to provide the highest quality products possible. Products are subject to change without notice.

© Copyright **REDGUM Brand** 2021



**REDGUM Brand** is part of **FOR-DE Group Pty Ltd**

# CONTENTS

---

1. **INTRODUCTION** - INTENDED USE
2. **PRODUCT OVERVIEW** - FEATURES / SPECIFICATIONS
3. **ASSEMBLY** - UNPACK and INSPECT SUPPLIED PARTS
4. **ASSEMBLY** - ATTACH PUSH HANDLE TO BACKREST
5. **ASSEMBLY** - ATTACH BACKREST TO CHAIR BASE
6. **ASSEMBLY** - ATTACH ARMREST TO CHAIR BASE
7. **ASSEMBLY** - ATTACH WINGS TO CHAIR BASE
8. **ASSEMBLY** - BATTERY CONNECTION
9. **ASSEMBLY** - MAINS POWER CONNECTION
10. **ASSEMBLY** - BATTERY CHARGING
11. **USAGE GUIDELINES** - CHAIR POSITIONING AND CASTORS
12. **USAGE GUIDELINES** - HANDSET CONTROLS
13. **USAGE GUIDELINES** - DO's + DON'Ts
14. **PRODUCT CARE** - INSPECTIONS / CLEANING
15. **WARRANTY**
16. **REDGUM BRAND** PRODUCT RANGE



# INTRODUCTION

---

Thank you for purchasing this quality **REDGUM Brand** product.

If you have any issues or questions about the **ULTRACARE Mobile Lift Chair** please contact your local distributor or REDGUM Brand direct:

T: +61 8 9248 4180

E: sales@for-de.com.au

A: 1 Business Way, Malaga Western Australia 6090

## INTENDED USE

This product has limitations and should be used in accordance to these guidelines. Failure to follow these guidelines may result in damage to the product and injury to the user. It is the responsibility of the user to ensure the suitability of this product for its intended use. The user should consult their appropriate healthcare professional if unsure of the correct product usage for their unique circumstances.

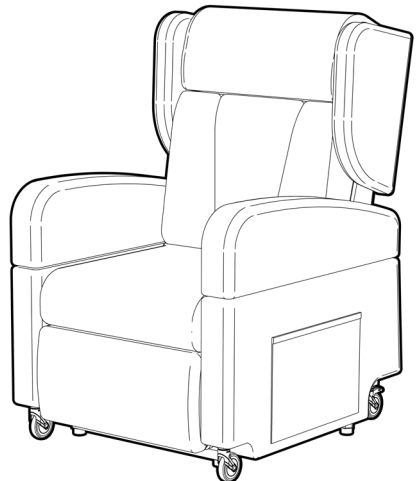
Only use your ULTRACARE Mobile Lift Chair for the purpose for which it is intended, which is as a single seating armchair that can lift, rest and recline.

Read and follow all instructions, warnings and notes in this manual and all other accompanying literature before attempting to operate this product for the first time. In addition, your safety depends upon you, as well as your dealer, carer or healthcare professional in using good judgement.

### IMPORTANT NOTE

This equipment **MUST** be assembled by a competent person.

It is recommended that a second person is used to assist with connecting the backrest onto the chair.



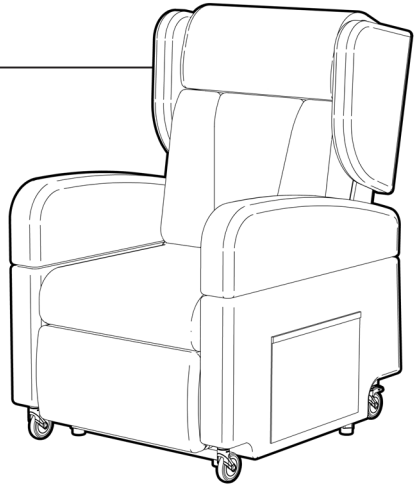
# PRODUCT OVERVIEW

---

## FEATURES

Adjustable electric armchair

- Seat raise and tilt function
- Backrest recline function
- Legrest elevation function
- Lift chair height adjustment function
- Mobile lift chair with battery pack
- Removable Lithium-ion battery
- Audible and visual warning when battery requires recharging
- Ø75mm castors with push handle at rear
- Handset controls with large buttons
- Removable armrests and wings for side transfers
- Incontinent PU backrest / seat / legrest coverings
- Vinyl side coverings with storage pockets either side
- Added comfort of a pocket spring seat base
- Quality German actuators



## SPECIFICATIONS

(All specifications may vary (+/- 10mm) as each chair is handcrafted)

Overall: **760mm (W) x 850mm (D) x 1140mm (H)**

Seat: **540mm (W) x 510mm (D) x 530 - 710mm (H)**

Armrest: **100mm (W) x 450mm (D) x 180mm (H)** (Relevant to seat)

Backrest: **540mm (W) x 700mm (H): 110° - 145°** (Relevant to seat)

Legrest: **540mm (W) x 450mm (H): 90° - 15°** (Relevant to seat)

Castors: **ø75mm - Swivel front / Braked rear**

Distance from wall: **600mm**

Maximum User Weight: **160kg**

Product Weight: **Base: 48.3 kg / Backrest: 7.5kg / Armrest: 2.8kg / Wing: 1.8kg**  
**Combined weight: 65kg**

Battery: **Removable rechargeable Lithium-ion battery pack 25.2V - 2550mA - 65Wh**

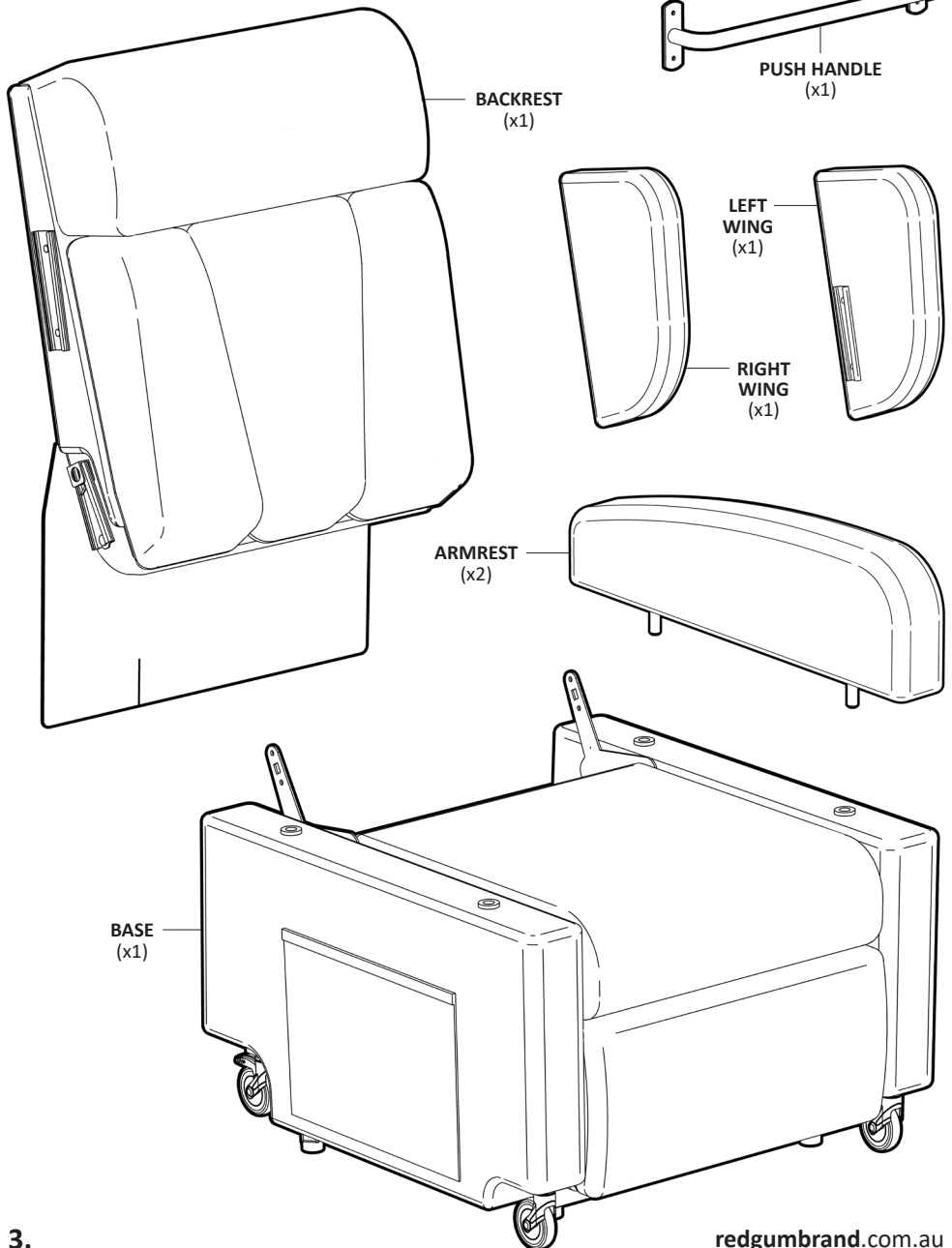
Please contact **REDGUM Brand** if you would like any further information.

**2.**

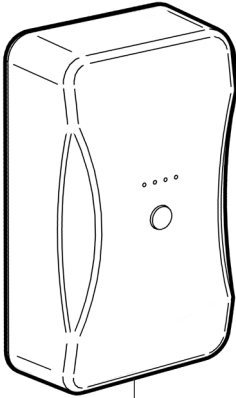
[redgumbrand.com.au](http://redgumbrand.com.au)

# ASSEMBLY - UNPACK and INSPECT SUPPLIED PARTS

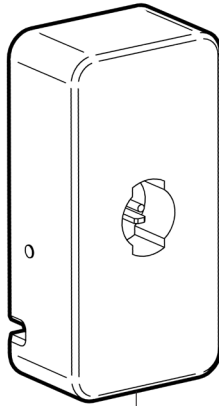
Ensure you have been supplied with the following parts:



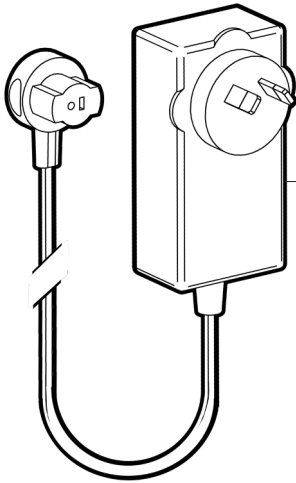
NOTE: Parts shown on this page are not to scale



**BATTERY**  
(x1)

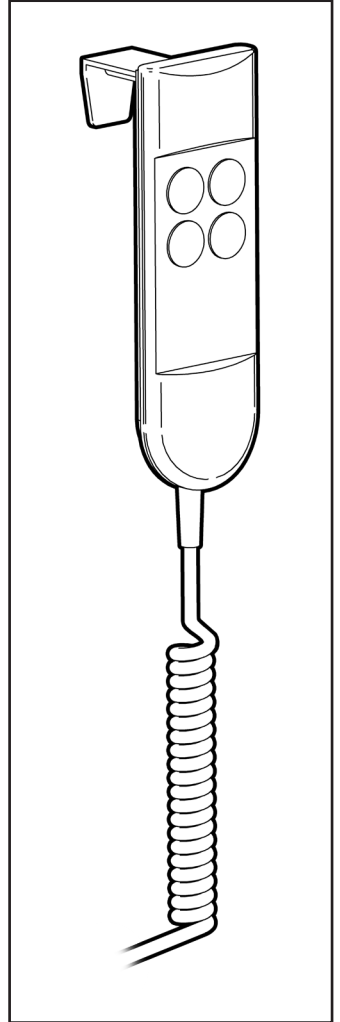


**BATTERY CHARGER**  
(x1)



**POWER CABLE**  
(x1)

**BOLT**  
(x4)



**CHECK HANDSET  
IN SIDE POCKET**

**TOOL REQUIRED (not supplied)**

- Large phillips head screwdriver

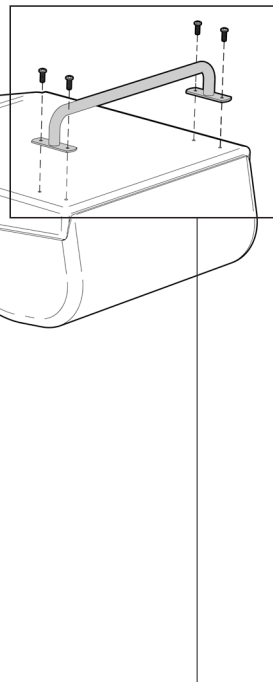
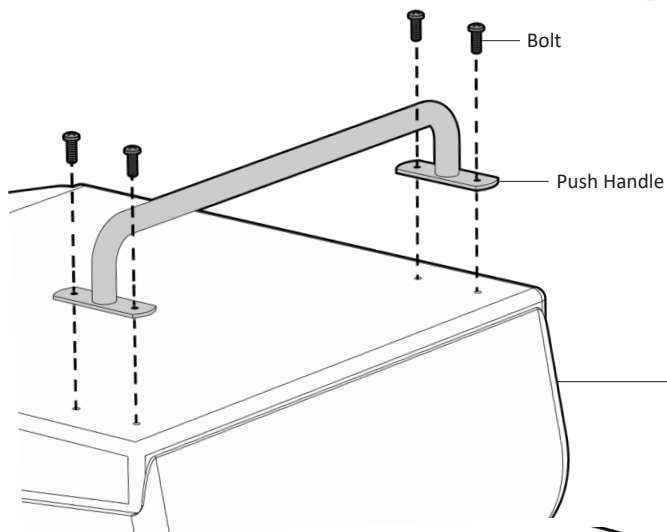
**IMPORTANT NOTE**

Check the product for any visible damage. If you see any damage or suspect a fault **DO NOT USE YOUR PRODUCT** and contact your supplier for support.

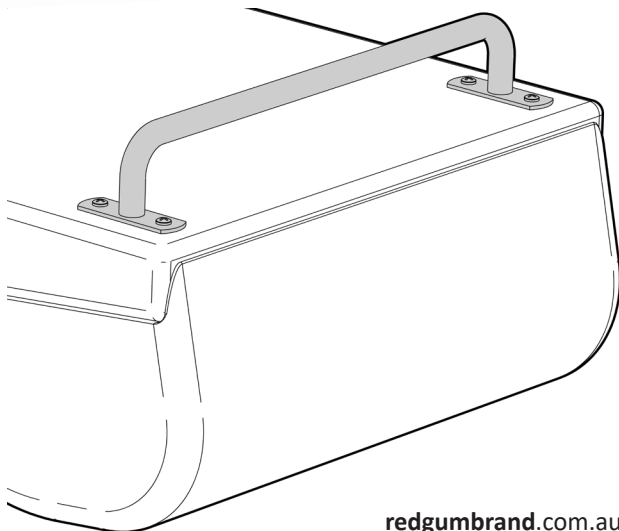
# ASSEMBLY - ATTACH PUSH HANDLE TO BACKREST

Please follow these steps to attach the push handle to backrest:

1. Line up push handle holes with backrest holes.
2. Using large phillips head screwdriver fix push handle into position using 4 Bolts.



**NOTE:**  
Check to ensure push handle has been securely fitted in place prior to use.

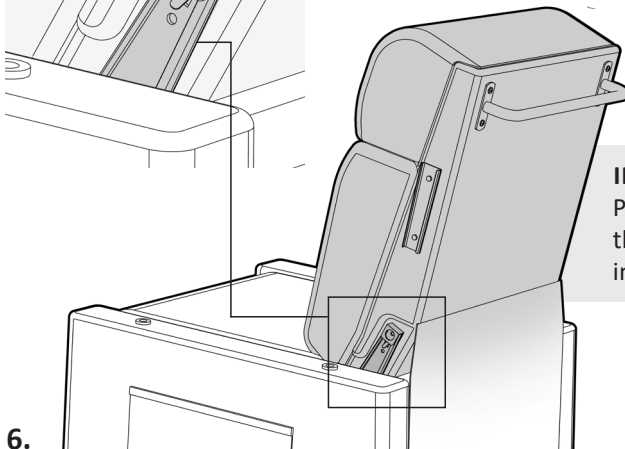
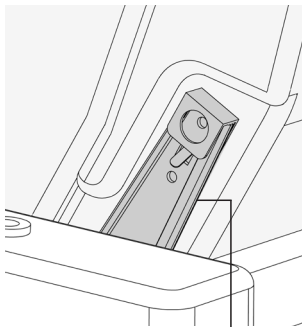
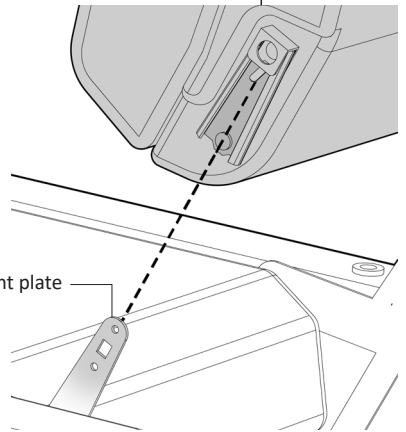
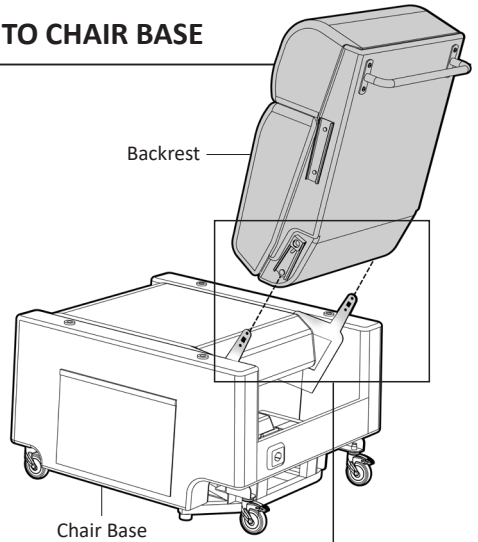




# ASSEMBLY - ATTACH BACKREST TO CHAIR BASE

Please follow these steps to attach the backrest to the chair base:

1. Position the chair base as shown.
2. Align the backrest over the chair base with the padded front facing toward front of chair base.
3. Fit the backrest to the chair base by sliding the mounting brackets located on either side of the backrest onto the mount plates located inside the sides of chair at the rear of the chair base.
4. Push down on the backrest until you hear two loud 'Clicks' indicating that **BOTH** connection points are locked in position.
5. Pull up on the backrest to check that it is securely locked down in place.

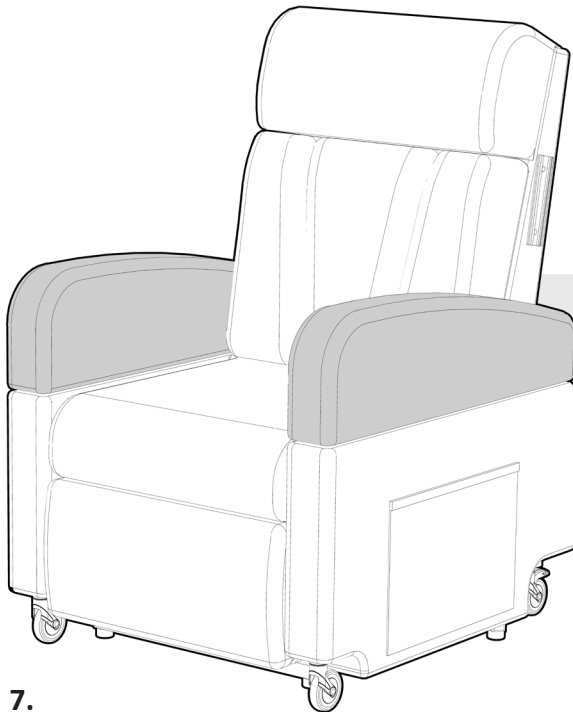
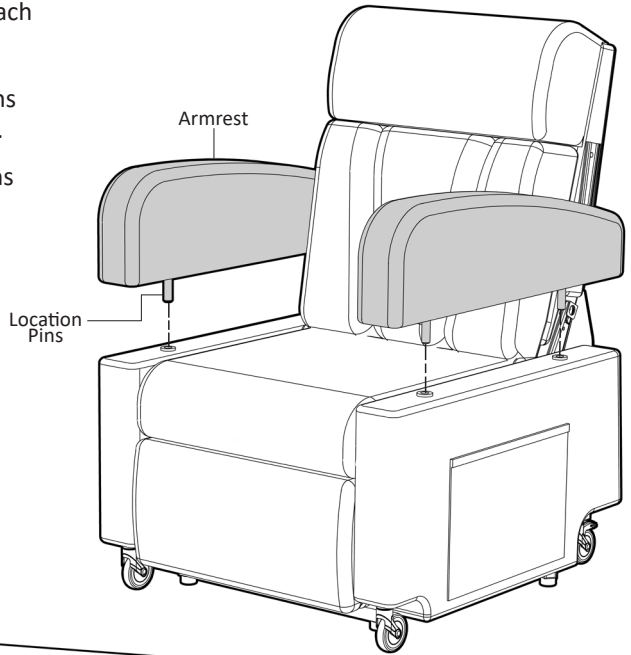


**IMPORTANT NOTE:**  
Pull up on the backrest to check that it is securely locked down in place prior to use.

# ASSEMBLY - ATTACH ARMRESTS TO CHAIR BASE

Please follow these steps to attach the armrests to chair base:

1. Align the armrest location pins to the holes in the chair base.
2. Slide the armrest location pins into the holes on chair.
3. Push armrest all the way down until fully located onto the chair base.
4. Repeat process to locate other armrest.



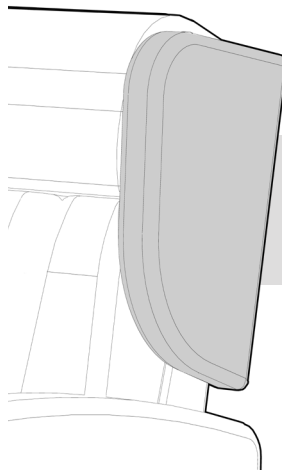
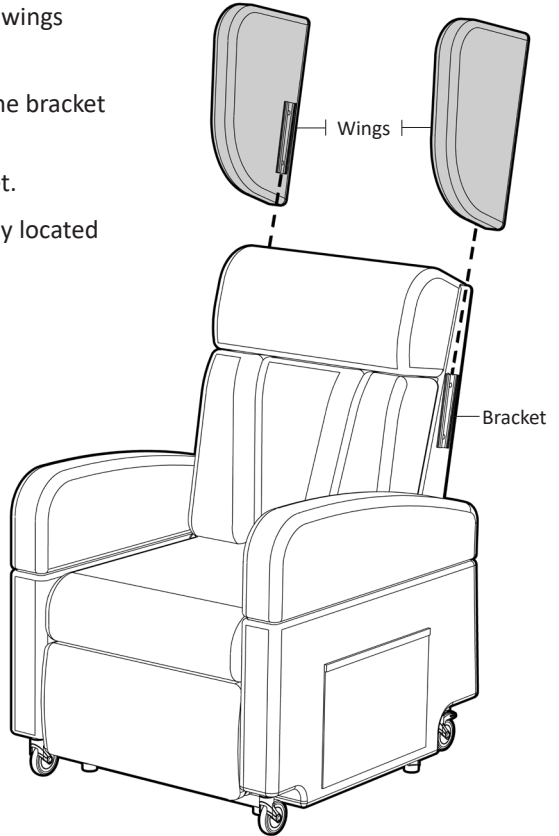
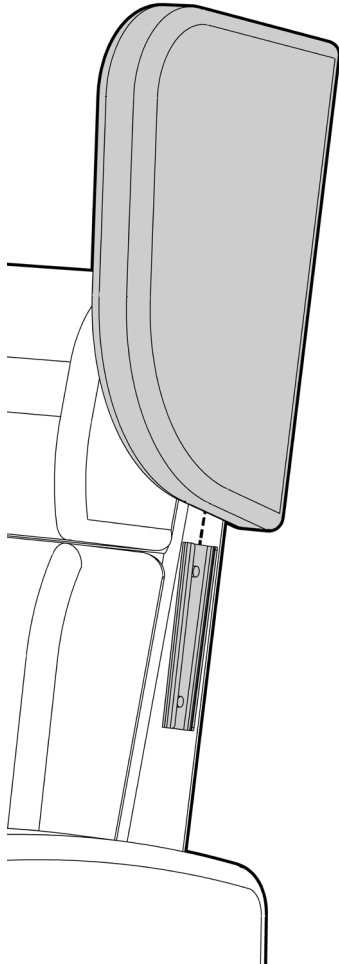
## IMPORTANT NOTE:

Ensure both armrests are fully located onto the chair base prior to use.

# ASSEMBLY- ATTACH WINGS TO BACKREST

Please follow these steps to attach the wings to the backrest:

1. Align the bracket on the wing with the bracket on the side of the backrest.
2. Slide the wing down onto the bracket.
3. Push wing all the way down until fully located onto side of backrest.
4. Repeat process for other wing.



## IMPORTANT NOTE:

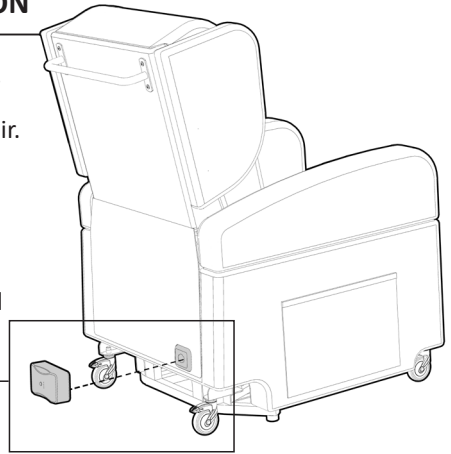
Ensure both wings are fully located onto the backrest prior to use.

# ASSEMBLY - BATTERY CONNECTION

Please follow these steps to connect the battery.

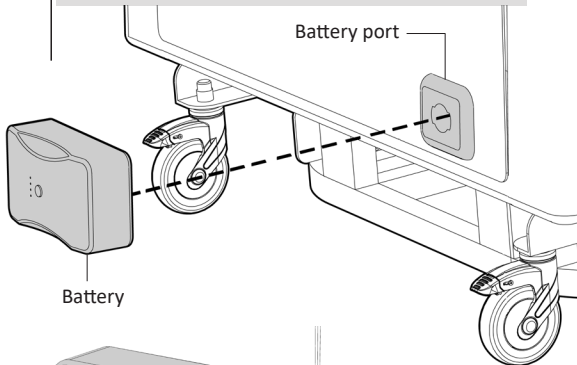
1. Locate the battery port on the back of the chair.  
(Can be found behind backrest cover flap)
2. Align the battery horizontally with the port.
3. Plug the battery in and turn 90° clockwise.

Press the button on battery to check power level  
(4 lights = fully charged / 1 light = recharge)

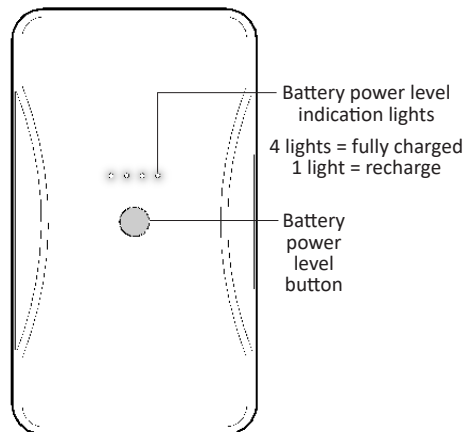
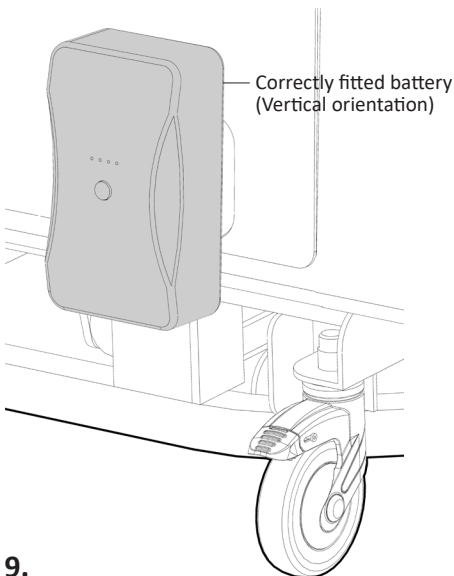
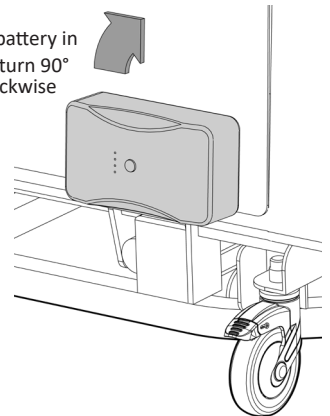


## IMPORTANT NOTE:

Audible and visual warning when battery requires recharging



Plug battery in  
and turn 90°  
clockwise



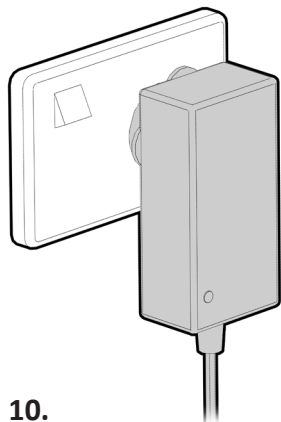
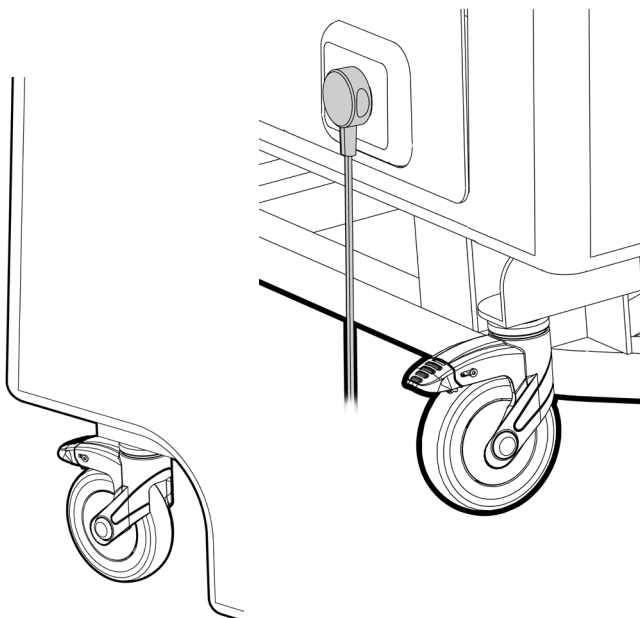
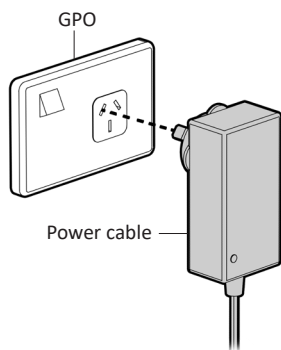
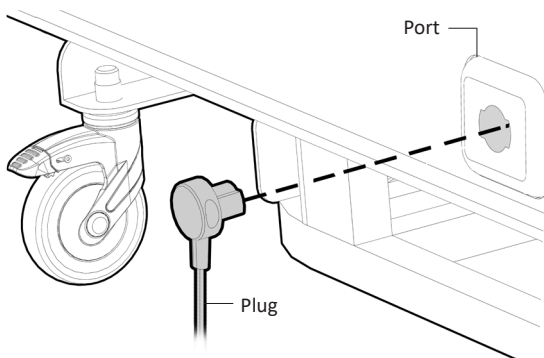
# ASSEMBLY- MAINS POWER CONNECTION

Please follow these steps to connect the lift chair to mains power.

1. Position the chair near GPO plug.

**It is recommended that you plug the lift chair directly into mains power. Try to avoid using extension cords.**

2. Insert the plug into the port on the rear of chair and then plug the power cable into the GPO. LED indicator on transformer will show green.



## IMPORTANT NOTE:

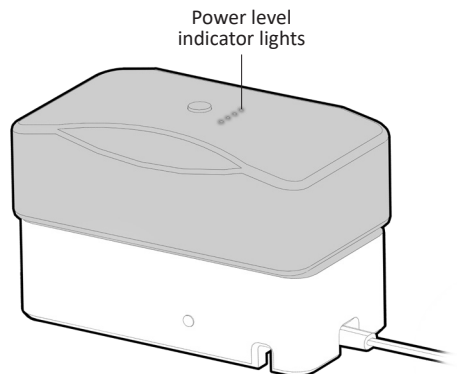
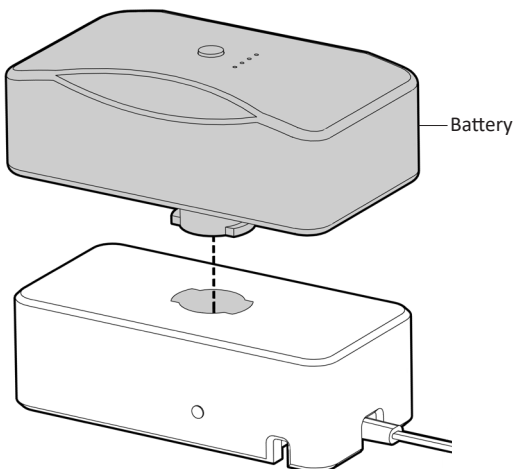
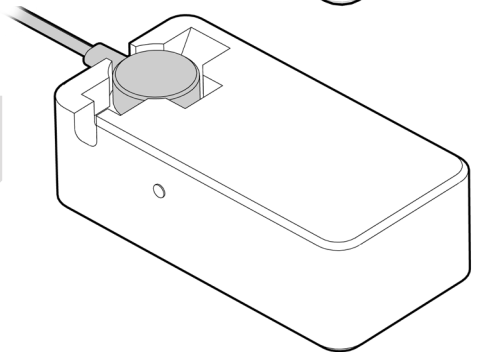
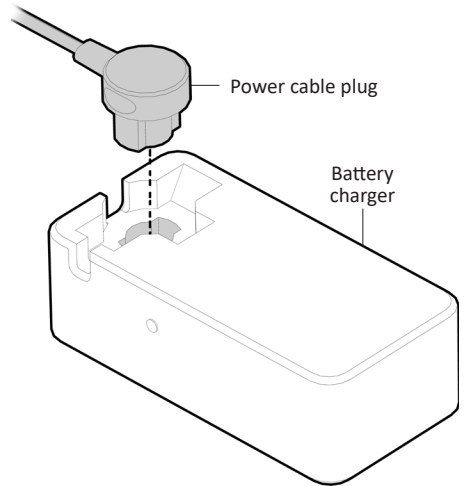
Always keep power cable clear of base frame to avoid any cable damage.

# ASSEMBLY - BATTERY CHARGING

Please follow these steps to charge the battery.

1. Check battery level by pressing button.  
Lights indicate power level:
  - 4 lights = full battery
  - 1 light = recharge required
2. Plug the power cable plug into the battery charger as shown.
3. Connect power cable to mains power.
4. Insert battery into charger.
5. Lights on battery will illuminate.  
Battery is fully charged when all 4 lights are showing.

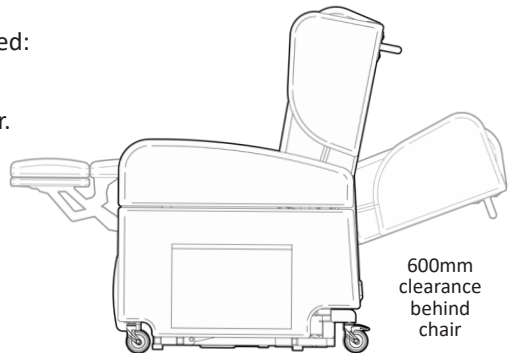
We recommend that a 2 battery system be used where possible. One battery in use and one battery on charge.



# USAGE GUIDELINES - CHAIR POSITIONING AND CASTORS

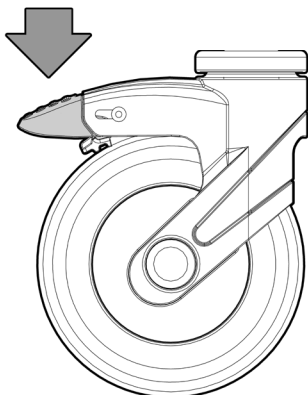
Prior to using the Lift Chair please follow these steps to position the chair as required:

- Position the chair on a flat and level floor.
- The lift chair should be placed near a power point if being plugged into mains power. We recommend that the chair be plugged directly into the power source where possible.
- Allow sufficient room in front and behind the chair for reclining backrest and extending legrest:
  - **600mm** from wall
  - **500mm + in front**
- If possible maintain at least 1 metre between the lift chair and other furniture.
- Avoid placing the chair in the direct sun (Material colour may fade over time with sunlight).
- **DO NOT** use lift chair outdoors (Indoor use only).

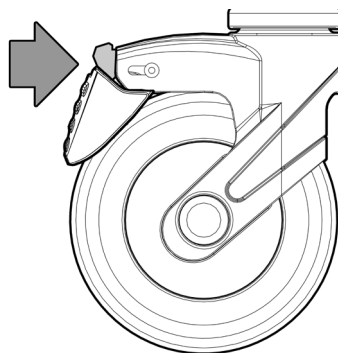


Please follow these steps to lock and unlock the castors:

1. To lock the castors: using your foot - press down on brake lever
2. To unlock castors: using your foot - push the small tab in towards castor to release brake.



**IMPORTANT NOTE:**  
DO NOT use  
your hands to  
lock / unlock castors  
(Potential pinch point)

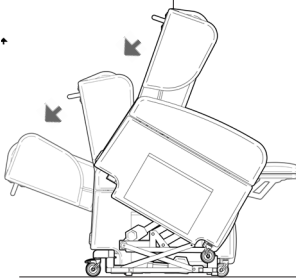
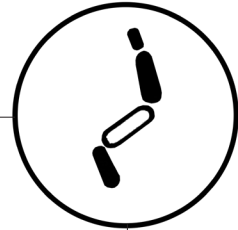
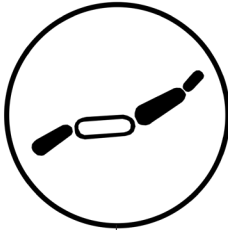


# USAGE GUIDELINES - HANDSET CONTROLS

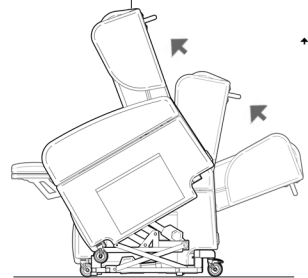
The Lift Chair comes with a handset that controls the various movement of the chair  
Depress the relevant button to achieve the required movement:

Lower down the chair

Raise the chair up



Press button to go from lift to sitting to reclined position.



Press button to go from reclined to sitting to lifted position.



## NOTE:

The hook on the rear of the handset can be removed if not required.



# USAGE GUIDELINES - DO'S + DON'TS

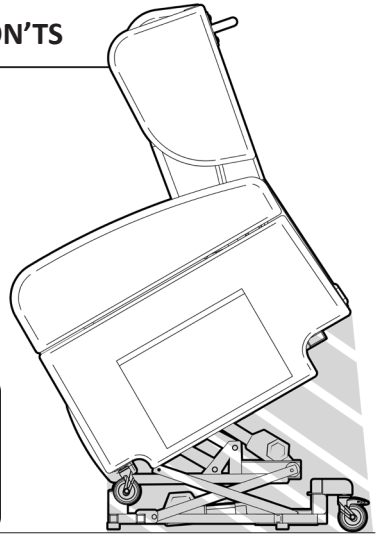
Please follow these guidelines to get the optimal benefit from the Lift Chair.

Failure to follow these guidelines may result in damage to the lift chair and put the user at risk:

Maximum User Weight is **160kg**.  
Do not overload lift chair!



**IMPORTANT NOTE:**  
**PINCH POINTS EXIST ON LIFT CHAIRS**  
Keep clear of the lift and recline mechanisms at all times !



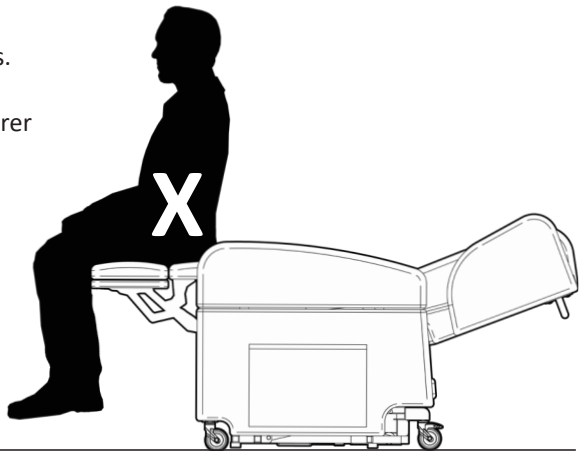
- Ensure areas behind and in front of the lift chair are clear at all times.

- Only the occupant or a qualified carer should operate the lift chair.

- Always leave the lift chair in the upright position when not in use.

- Ensure that only **ONE** person uses the lift chair at a time.

- Do not allow anyone to sit on the legrest when raised.



- Store the handset in the side pocket when not in use.

- Do not expose the lift chair to excessive heat, humidity or dust.

- When moving the lift chair hold from the base - not backrest or armrests.

If you are unsure about any of these precautions please contact your local distributor or **REDGUM Brand** direct for further information.

# PRODUCT CARE - INSPECTIONS / CLEANING

---

## INSPECTIONS

We suggest that you visually check the Lift Chair periodically for signs of damage or wear prior to use. Pay particular attention to the following areas:

- Handset including cable
- Battery , battery charger and power cable
- Actuators (motors)
- Coverings (look for pulls / tears / gaps / stitch fraying)

Overall check that no components are loose or worn.



**Stop using lift chair immediately if you suspect damage or any other fault. If in any doubt, please do not issue or use, but immediately contact your local distributor or REDGUM Brand direct for advice and service support.**

## CLEANING

Clean your lift chair coverings using a non-abrasive cleaner or mild detergent with a soft cloth.

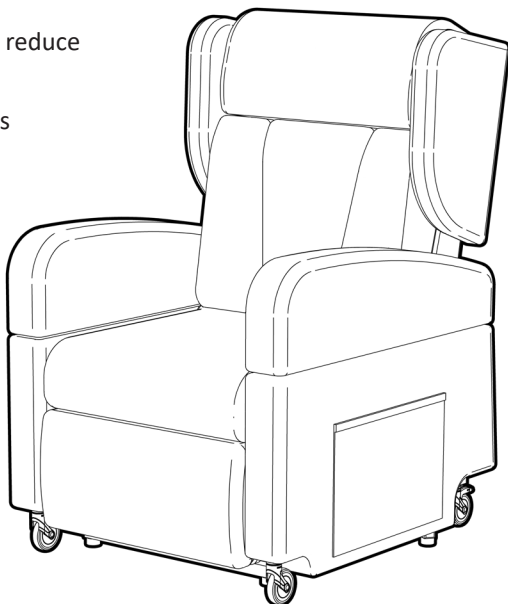
Spot clean any spills as soon as possible to reduce the amount of ingress into fabric seams.

Abrasive cleaners or abrasive cleaning pads could damage the lift chair coverings and should not be used.

DO NOT expose any of the electrics to any moisture:

- Actuators
- Handsets
- Cabling.

Keep these components dry at all times and away from any temperature extremes.



# WARRANTY

---

Your REDGUM Brand:

## ULTRACARE Mobile Lift Chair (LC0901)

is covered by the following warranties from the date of purchase:

- **FRAME (including mechanisms): 5 years**
- **BATTERY and CHARGER: 1 year**
- **OTHER ELECTRICS: 2 years**
- **FABRICS: 2 years**

If the product has any manufacturing faults during this period contact the place of purchase for assessment. Failures as a result of **ACCIDENTAL MISUSE, MODIFICATION OR WEAR AND TEAR ARE NOT COVERED BY THIS WARRANTY.**

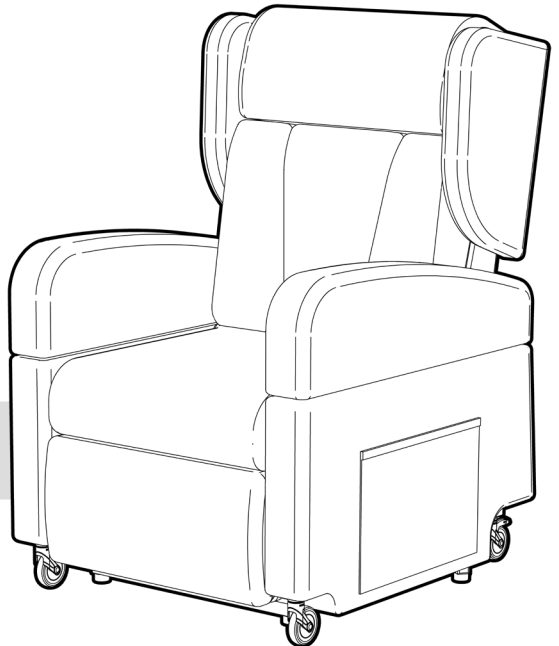
Our goods come with guarantees that cannot be excluded under the Australian Consumer Law. You are entitled to a replacement part for a major failure and for compensation for any other reasonably foreseeable loss or damage. You are entitled to have the goods repaired or replaced if the goods fail to be of acceptable quality and failure does not amount to major failure.

If you have any issues or questions about your lift chair please contact your local distributor or REDGUM Brand direct on:

T: +61 8 9248 4180

E: sales@for-de.com.au

A: 1 Business Way, Malaga  
Western Australia 6090



Please keep this User Manual in a safe place for future reference.

**DISTRIBUTOR:**

**REDGUM** BRAND  
*Daily Living and  
Lifestyle Products*



**Proudly Australian Owned and Operated**

[redgumbrand.com.au](http://redgumbrand.com.au)